



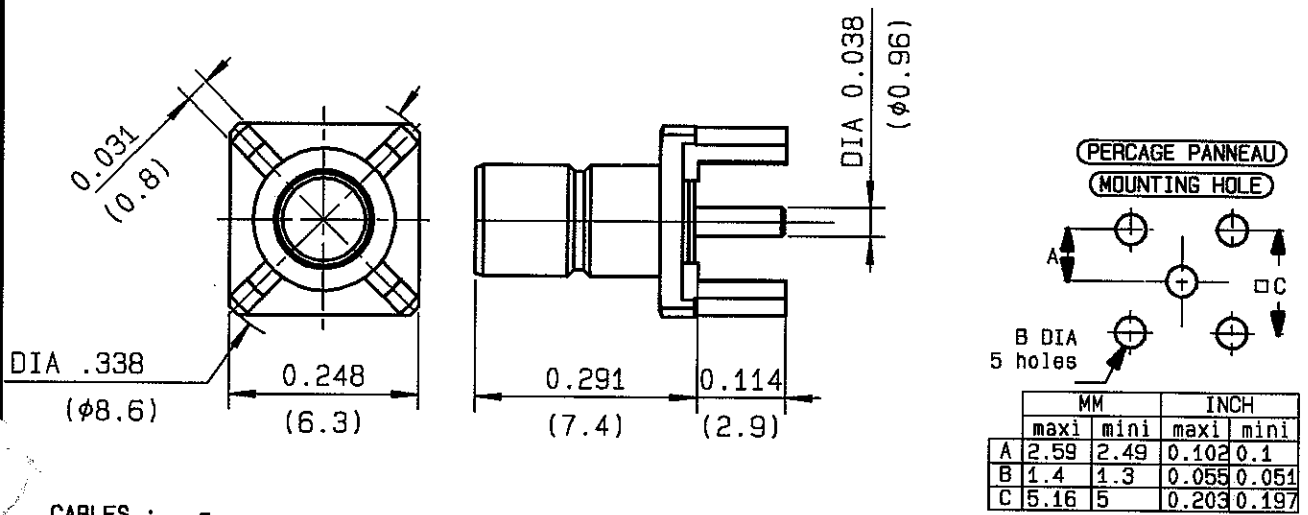
RADIALL®
COAXIAL CONNECTORS

TECHNICAL DATA

R114.426.042

Issue : 9442 Page 1 / 1
Series : SMB

MALE RECEPTACLE FOR P.C.B
PACKAGING PER 100



CABLES : -

CHARACTERISTICS

NOMINAL IMPEDANCE	50	Ω
FREQUENCY RANGE	0-4	GHz
TEMPERATURE RATING	-65/+165	°C
VSWR	NA +	- x F(GHz)Maxi
RF INSERTION LOSS	NA	√F(GHz) dB Maxi
VOLTAGE RATING	335	Vrms Max
DIELECTRIC WITHSTANDING VOLTAGE	1000	Vrms min
INSULATION RESISTANCE	1000	MΩ min
HERMETIC SEAL	-	cc/s
	NA	Atm.cm3/s
LEAKAGE (pressurized only)	-	psi
	NA	MPa
WEIGHT	0	Oz
	-	g

STANDARDISATION

CECC 22130/SMB
MIL STD348-311/SMB
NF C93-562/KMC

CABLE RETENTION

0 1b min
NA N

CENTER CONTACT RETENTION

Axial force - mating end	2.25	1b min
	10	N
Axial force - opposite end	2.25	1b min
	10	N
Torque (Min)	0	Inch.oz
	NA	cm.N

RECOMMENDED TORQUES

Mating	0	Inch.lb
	NA	cm.N
Panel nut	0	Inch.lb
	NA	cm.N
Clamp nut	0	Inch.lb
	NA	cm.N

CONSTRUCTION

CONNECTOR PARTS	MATERIALS	FINISH
BODY	BRASS	160μI NICKEL
OUTER CONTACT	-	-
CENTER CONTACT	BRASS	100μI GOLD OVER 80μI NICKEL
INSULATOR	PTFE	-
-	-	-
-	-	-
-	-	-
-	-	-
-	-	-

ISSUE	REVISION No	DESCRIPTION	BY	DATE
-	-	-	-	-
-	-	-	-	-
-	-	-	-	-
-	-	-	-	-

Initiated on 01/08/94
Approval by Y.PERRIN

The information given here is subject to change without notice. Design changes may be in order to improve the product.



LELEU

94-0104-710A